

SSLB Connectors



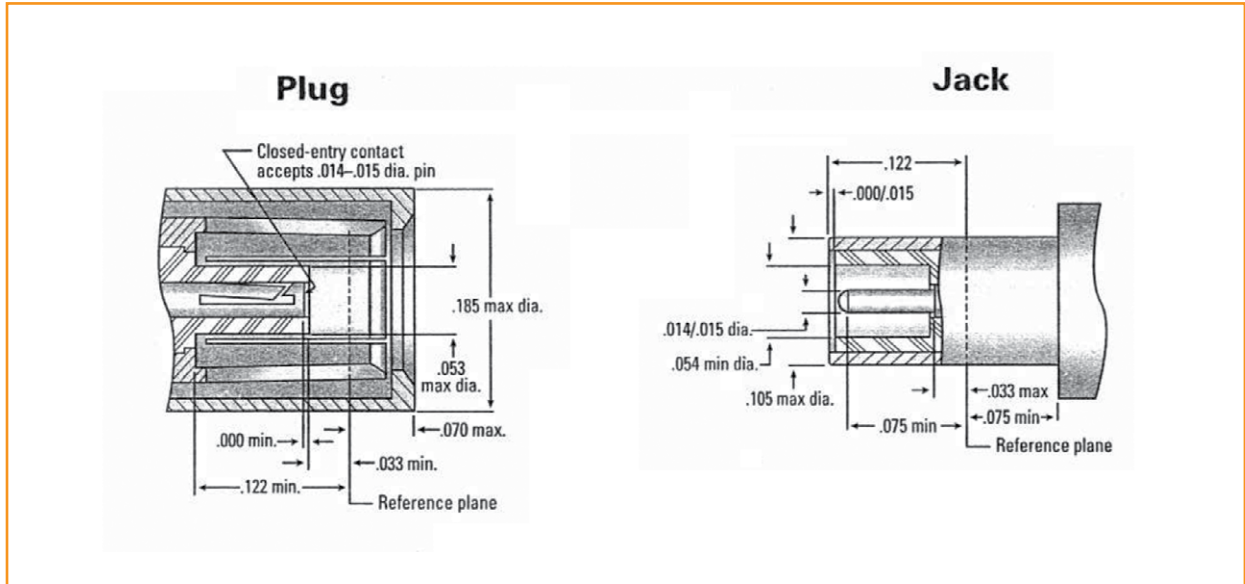
CHARACTERISTICS

Requirements	Specifications
Materials	
Plug spring fingers, center contacts	Beryllium copper per ASTM-B-196, condition HT.
Crimp sleeves	Seamless copper tube per ASTM-B-75, type C12000, temper: light anneal 050.
Other metal parts	Brass per ASTM-B-16, Alloy 360, ½hard.
Insulators	Teflon(TFE) per ASTM-D-1710.
Finish	
Center contacts	Gold plated per current revision of MIL-PRF-39012*
Other metal parts	Gold plated to meet current MIL-PRF-39012 corrosion requirements.*
Electrical	
Impedance	50Ω.
Frequency range	DC-12.4 GHz.
Voltage Rating	250VRMS@ sea level; 60VRMS @70,000 ft.
Insulation Resistance	1,000 megohms minimum.
Contact Resistance	Center contact : Initial 4.0 milliohms maximum; after environmental test conditions: 6.0 milliohms maximum. Outer contact : Initial : 1.0 milliohms maximum; after environmental test conditions : 1.5 milliohms maximum. Cable braid to body Initial : 1.0 milliohms maximum ; after environmental test conditions : N/A.
Corona level	125V@70,000 ft.
RF highpot	400 VRMS @ 5 MHz
RF leakage	-70 dB min @ 2-3 GHz.
Insertion loss	.30 dB max @ 1.5 GHz
VSWR	Cable Straight connector Right angle connector RG-178 1.25+(.020×F[GHz]) 1.25+(.030×F[GHz]) RG-316 1.30+(.020×F[GHz]) 1.30+(.030×F[GHz]) .085"semi-rigid 1.25+(.015×F[GHz]) 1.25+(.025×F[GHz])
Mechanical	
Force to engage:	Initial, 3 pounds max engagement, 5 pounds min disengagement.
Contact resistance	2 pounds min axial force.
Durability	500 mating cycles.
Environmental (MIL-STD-202)	
Temperature range	-65°C to+165°C.
Corrosion	Method 101, condition B, 5% salt solution.
Vibration (Method 204)	Condition A(10G).
Mechanical shock (Method 213)	N/A.

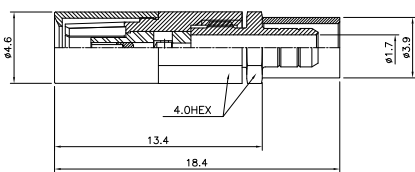
*These specifications change periodically with updates to MIL-PRF-39012 requirements. Contact factory for latest specifications.

SSLB Connectors

Interface Dimensions



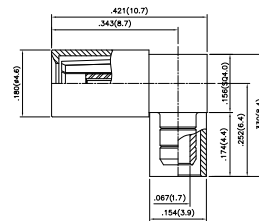
Straight Plug for RG316



Part No.

SSLB-111-001

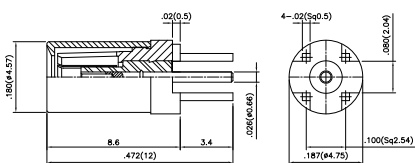
Right Angle Plug for RG316



Part No.

SSLB-311-001

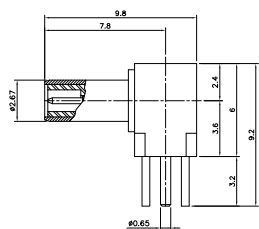
Straight PCB Plug



Part No.

SSLB-601-003

Right angle PCB Jack



Part No.

SSLB-607-001



