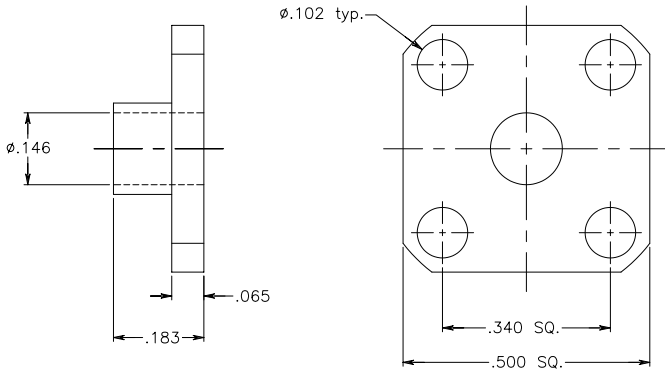


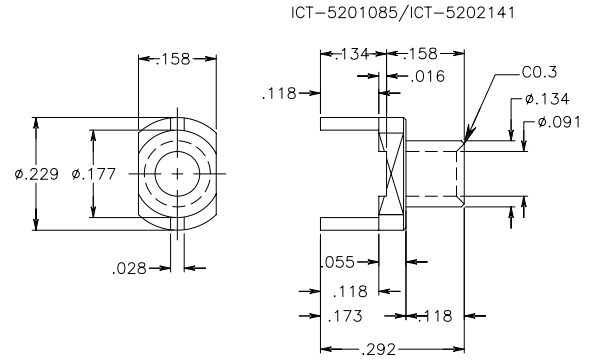


(Cable Feed Through-4H)



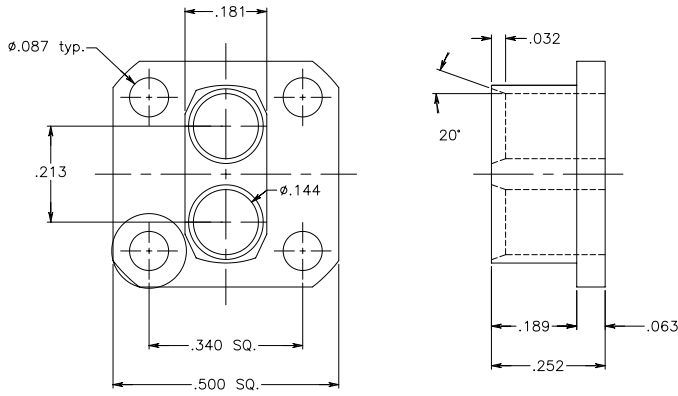
**PART #**  
CT-5000-01

(PCB Cable Terminator)



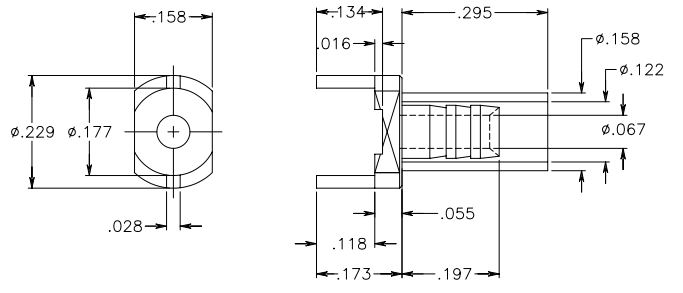
**PART #**  
CT-5000-04

(Cable Feed Through-4H)



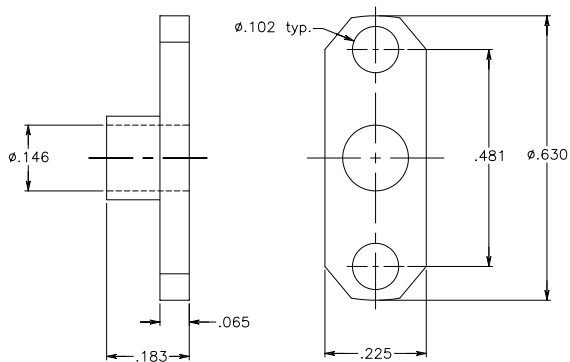
**PART #**  
CT-5000-02

(PCB Cable Terminator)



**PART #**  
CT-5000-05

(Cable Feed Through-2H)



**PART #**  
CT-5000-03